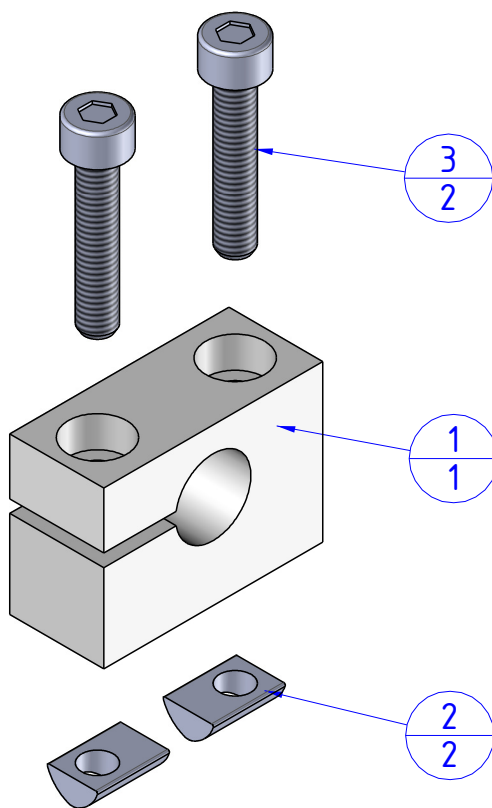
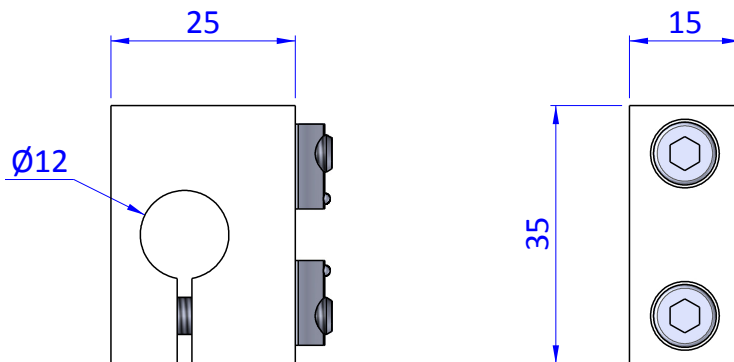

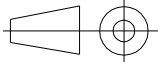


THE PROPERTY OF THE DRAWING IS ESTABLISHED BY LAW. IT IS FORBIDDEN TO PRODUCE OR SHOW IT TO THIRD PART. WITHOUT A WRITTEN AGREEMENT.

Item	Name	Q.ty
1	03.12.002	1
2	.CA.02.05.003	2
3	V.TCE5x25	2



<b>Format A4</b>  <b>UNI 936-76</b>	 <b>FPS</b> <small>FPSERVICES AUTOMATION</small>			DESIGNED FROM <b>FPS Automation</b>	REVIEW <b>A</b>
	GENERAL TOLERANCE UNI - ISO 2768 CLASSE f	DESCRIPTION  <b>CA.03.12.002.5</b>		DATE <b>24/07/2019</b>	WEIGHT <b>0,012kg</b>
				CODE <b>CA.03.12.002.5</b>	